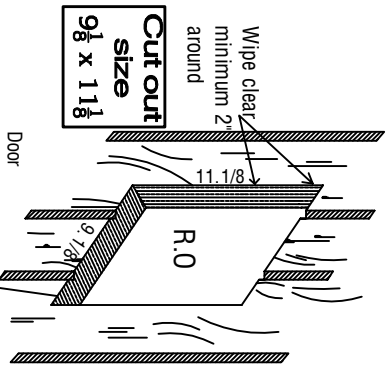




HAND FORGED IRON SPEAK EASY UNIT INSTALLATION INSTRUCTIONS

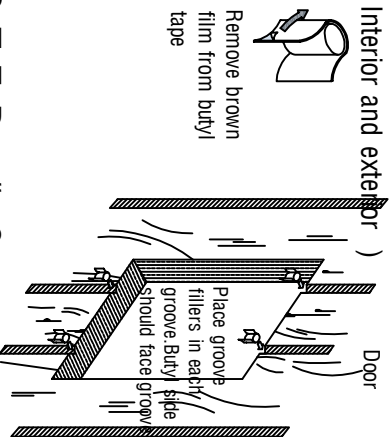
STEP # 1:

Wipe clean minimum of 2" around cut opening for speak easy grill. (exterior and interior)



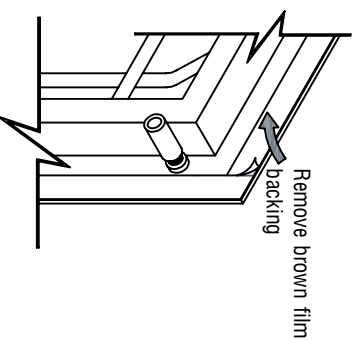
STEP # 2:

Remove brown film from butyl tape attached to "V" groove filler. Then place "V" groove filler, aligning it with the edge of the prepared opening (Interior and exterior)



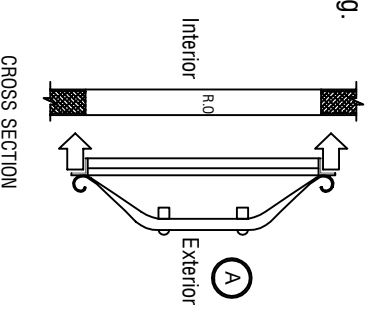
STEP # 3:

Slowly remove brown film backing from butyl tape on "A" and "B" grill casings. Insure butyl tape remains in place against grill casing



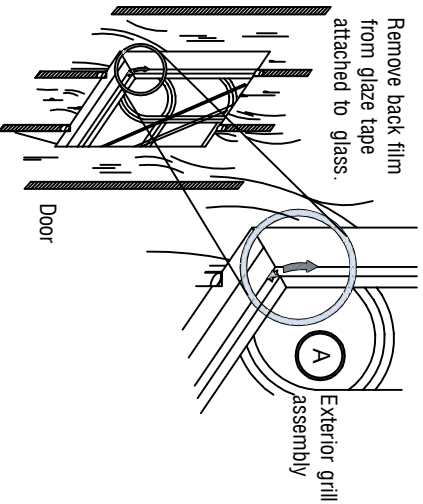
STEP # 4:

Insert A grill assembly in prepared opening on exterior face of door and hold in place. Insure that bottom of grill rests on bottom of prepared opening.



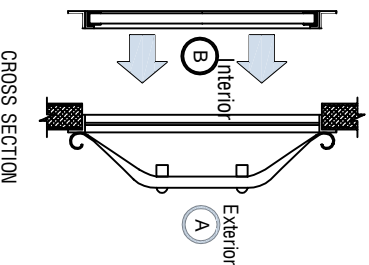
STEP # 5:

Carefully peel glaze tape film from glass attached to "A" Grill assembly.



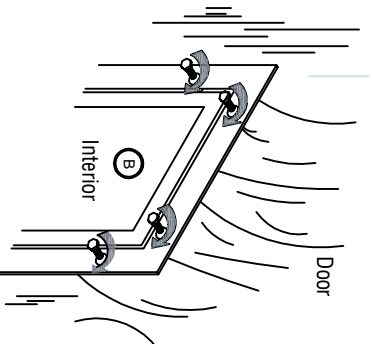
STEP # 6:

Insert "B" grill assembly in prepared opening on interior face of door and hold in place. Insure that bottom of grill rests on bottom of prepared opening.

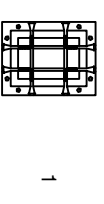


STEP # 7:

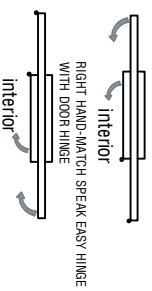
Handtighten bolts from B grill side until secure. Then, tighten with a 1/2" socket wrench. NOTE: To prevent paint coating removal, place masking tape over bolt head and surroundings before tightening. DO NOT OVERTIGHTEN to prevent shearing of bolt.



BILL OF MATERIALS



HANDING DIAGRAM



8

1

12

48"