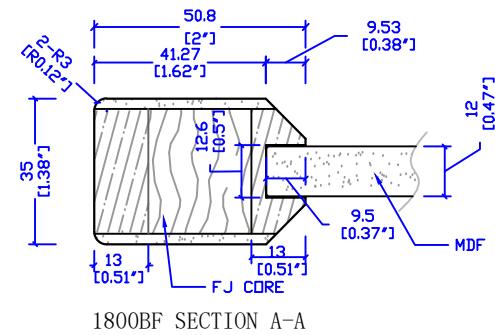
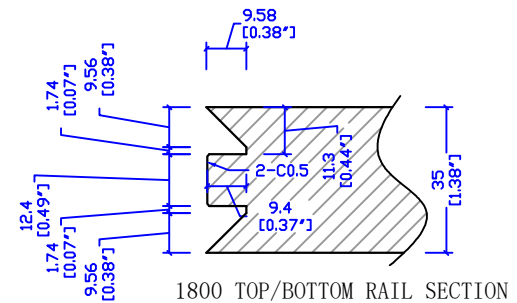
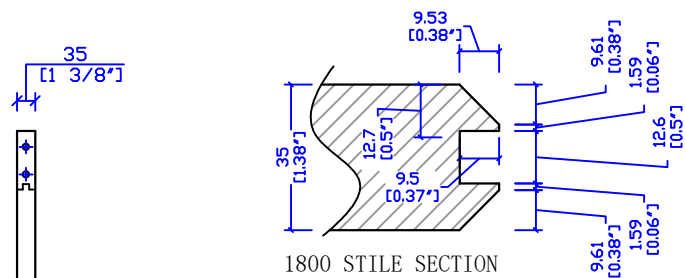
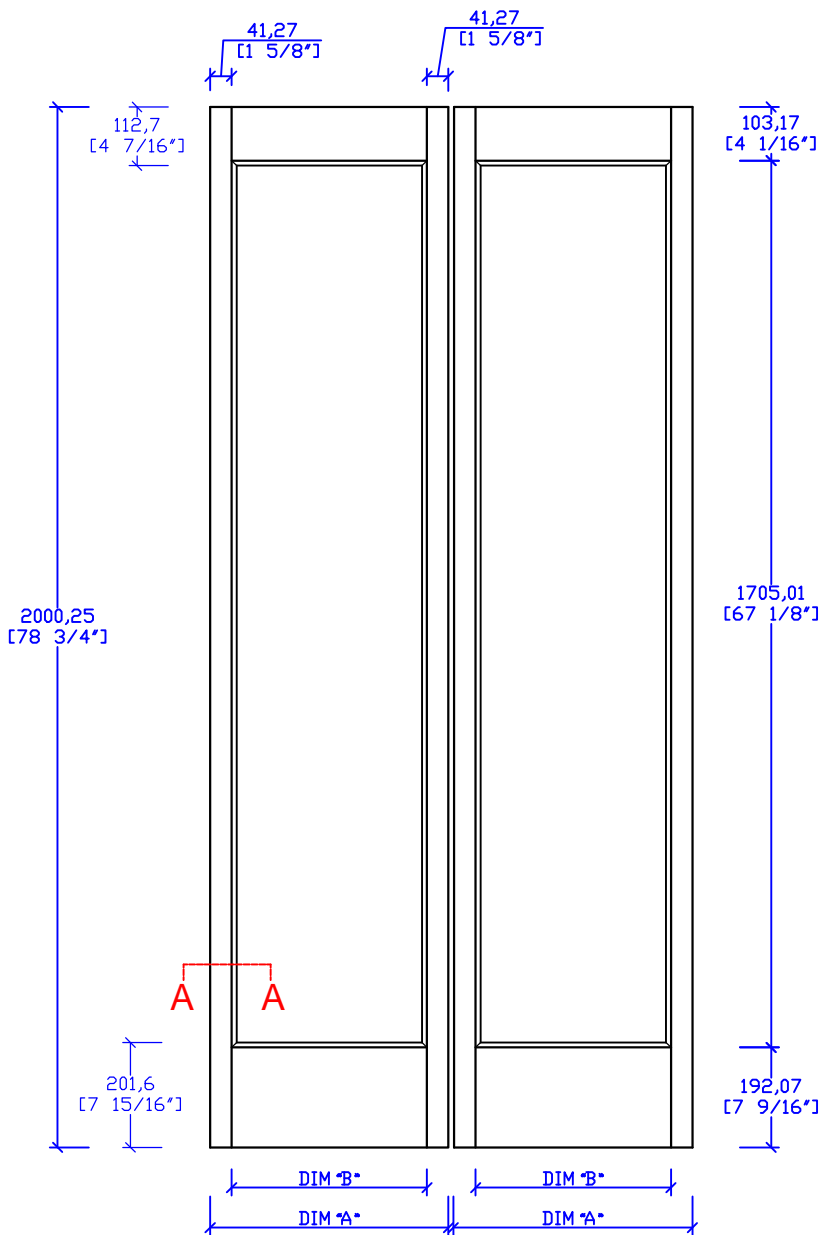


PANEL CONTROL DIMENSIONS

| DOOR SIZE | DIM "A" | DIM "B" | PANEL SIZE |
|-----------|---------|---------|------------|
| 2-0 | 298.45 | 215.91 | 213x1702 |
| 2-6 | 374.65 | 292.11 | 289x1702 |
| 3-0 | 450.85 | 368.31 | 365x1702 |



| | | | | | | | | | |
|--|-------------|-----------|---------|--|------|-------|-----|-------------------|-----------|
| THIS DRAWING AND THE INFORMATION CONTAINED HEREIN IS PROPRIETARY TO TRIMLITE COMPANY AND SHALL NOT BE REPRODUCED, COPIED OR DISCLOSED IN WHOLE OR PART, OR USED FOR MANUFACTURE OR FOR ANY OTHER PURPOSE WITHOUT THE WRITTEN PERMISSION OF TRIMLITE COMPANY. | | | | TITLE 1801BF (1-3/8"x6-3/4") Pri | | | | | |
| | | | | DRAWING NO. T-1801BF-78.75 | | | | | |
| Rev. # | Description | Date | by Whom | LAYOUT | 2/24 | SCALE | NTS | DIMENSIONS ARE IN | mm/[in "] |
| A | | 2024.9.13 | Wang | DRAWN BY: | | | | DATE | |
| | | | | | | | | | |