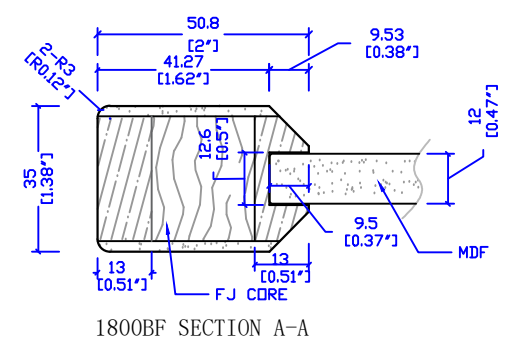
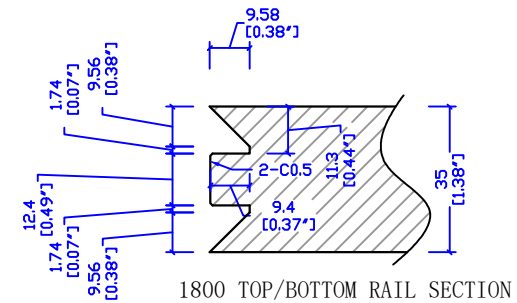
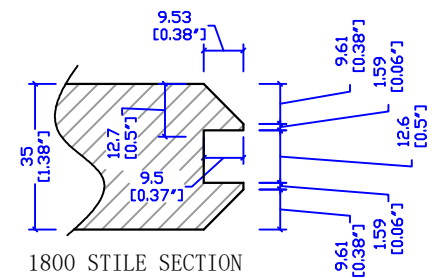
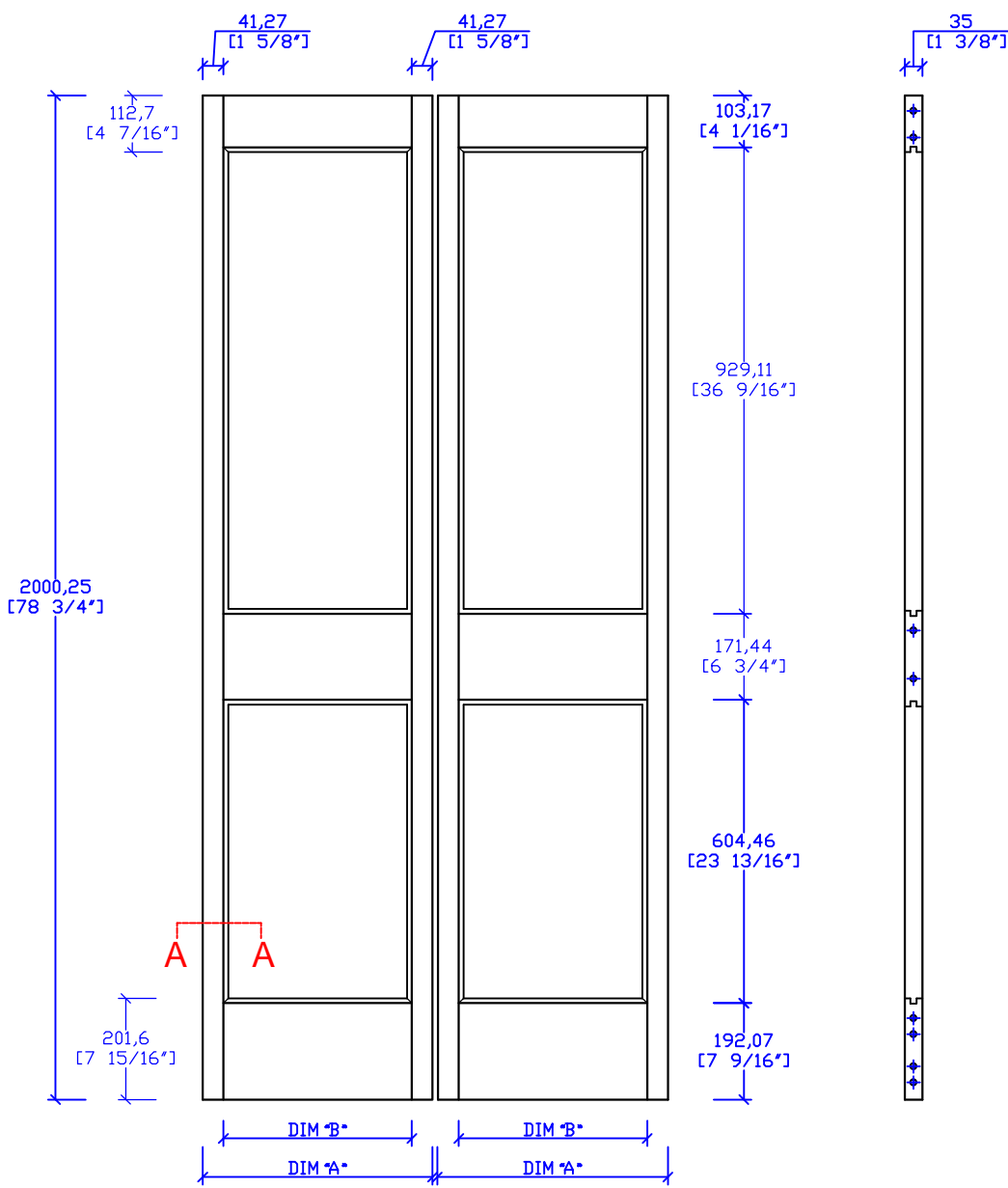



PANEL CONTROL DIMENSIONS			
DIM "A"	DIM "B"	PANEL SIZE	PANEL SIZE
298.45 (2-0)	215.91	213x601	213x926
374.65 (2-6)	292.11	289x601	289x926
450.85 (3-0)	368.31	365x601	365x926



THIS DRAWING AND THE INFORMATION CONTAINED HEREIN IS PROPRIETARY TO TRIMLITE COMPANY AND SHALL NOT BE REPRODUCED, COPIED OR DISCLOSED IN WHOLE OR PART, OR USED FOR MANUFACTURE OR FOR ANY OTHER PURPOSE WITHOUT THE WRITTEN PERMISSION OF TRIMLITE COMPANY.				TITLE 1802BF (1-3/8"x6-3/4") Pri					
				DRAWING NO. T-1802BF-78.75					
Rev. #	Description	Date	by Whom	LAYOUT	2/24	SCALE	NTS	DIMENSIONS ARE IN	mm/[in "]
A		2024.9.13	Wang	DRAWN BY:				DATE	
				 TRIMLITE					